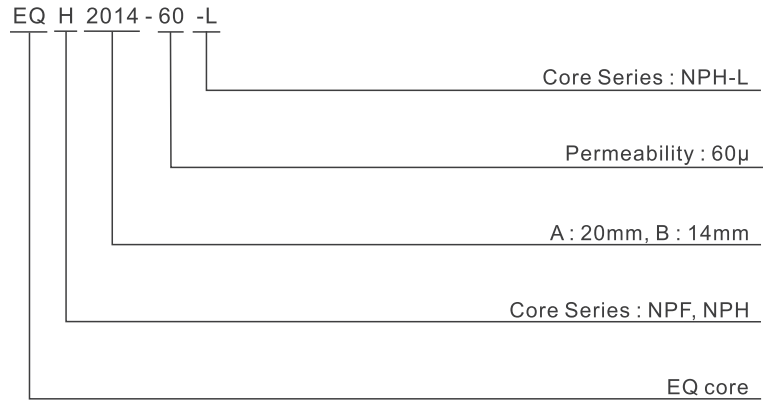
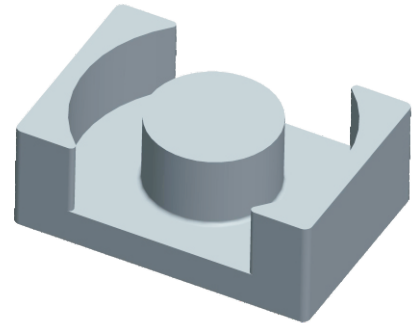
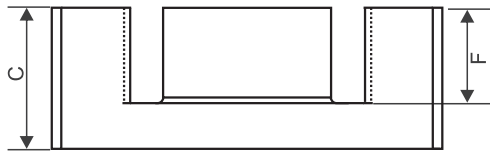
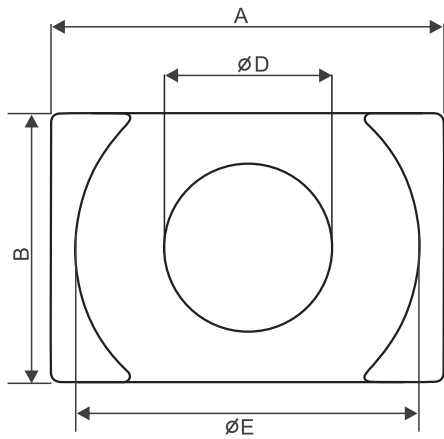


异形磁芯

SPECIAL-SHAPED CORES



P/N	A mm	B mm	C mm	D mm	E mm	F mm	Ae cm ²	Le cm	Ve cm ³	A _L ± 12% nH/N ²		
										60 μ	40 μ	26 μ
EQF2014-60	20.50	14.00	8.10	8.80	18.00	5.7	0.608	4.52	2.750	101	68	44
EQH2014-60	20.50	14.00	8.10	8.80	18.00	5.7	0.608	4.52	2.750	101	68	44
EQH2014-60-L	20.50	14.00	8.10	8.80	18.00	5.7	0.608	4.52	2.750	101	68	44
EQF2619-60	26.50	19.00	10.10	12.00	22.60	6.8	1.198	5.47	6.553	165	110	72
EQH2619-60	26.50	19.00	10.10	12.00	22.60	6.8	1.131	8.72	6.553	165	110	72
EQH2619-60-L	26.50	19.00	10.10	12.00	22.60	6.8	1.131	8.72	6.553	165	110	72
EQF3222-60	32.00	22.00	10.30	12.70	27.60	6.6	1.523	6.03	9.184	190	127	83
EQH3222-60	32.00	22.00	10.30	12.70	27.60	6.6	1.523	6.03	9.184	190	127	83
EQH3222-60-L	32.00	22.00	10.30	12.70	27.60	6.6	1.523	6.03	9.184	190	127	83
EQF3626-60	36.00	26.00	17.40	15.00	32.00	13.4	1.808	9.47	17.120	144	96	62
EQH3626-60	36.00	26.00	17.40	15.00	32.00	13.4	1.808	9.47	17.120	144	96	62
EQH3626-60-L	36.00	26.00	17.40	15.00	32.00	13.4	1.808	9.47	17.120	144	96	62
EQF4128-60	41.50	28.00	19.90	15.00	36.50	15.4	1.997	11.52	23.010	131	87	57
EQH4128-60	41.50	28.00	19.90	15.00	36.50	15.4	1.997	11.52	23.010	131	87	57
EQH4128-60-L	41.50	28.00	19.90	15.00	36.50	15.4	1.997	11.52	23.010	131	87	57